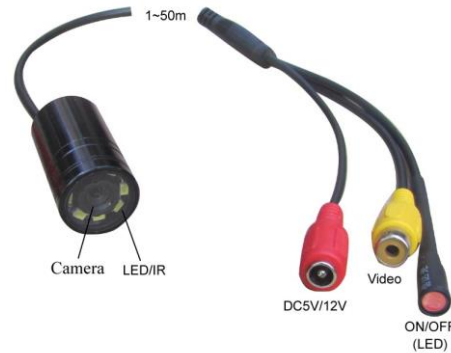
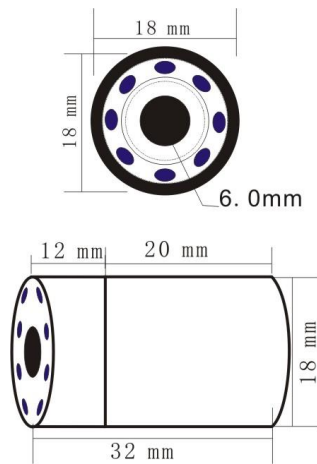


# INSTRUCTION MANUAL FOR MCV8 SERIES MINI CCTV CAMERA



## IMAGE OF MCV8-LED



## INSTRUCTIONS

Thank you for choosing our products. Before using, please read the instruction carefully to assure good performance. This manual should be kept well in case any necessary reference in future.

These cameras come with high sensitive CMOS sensor, high luminous flux (F1.2) and wide view angle (90°) mini lens. 8 controllable high bright LED lamps enable the effective recording distance up to 8 meters.

This series of products are of small volume and light weight, high stability and ultra-long working life. They are for use within flues, ducting and building inspection, particularly when surveys are required and a video/photographic evidence need to be recorded, such as insurance work.

## MAIN FEATURES

1. 8 high bright LED lamps enable the effective recording distance up to 8 meters;
2. High luminous flux (F1.2) and wide view angle (90°) mini lens;
3. Small size, which is easy to install into narrow flues and slim tube. 15 meters cable supplied with camera.
4. 520TVL Digital chip synthesis technology offers true color & HD video
5. On/Off light sensitive switch for the LED lamps.

## WARNING

1. Handle with care, and take care of the lens cover, as it will break if pushed against hard/sharp objects.
2. Please don't place or operate camera in damp places or with rain. Once camera is wet, please shut off the power immediately and contact professional persons to repair.
3. Please don't face camera to sunlight. Don't operate it over the spotlight or other strong light, reflector.
4. Please operate cameras under the stated temperature, humidity and power supply.

## SPECIFICATIONS

<b>PICK UP ELEMENT</b>	<b>Single chip 1/4 CMOS</b>	
<b>SYSTEM</b>	<b>PAL/NTSC</b>	
<b>NUMBER OF PIXEL</b>	<b>728 (H) ×576 (V)</b>	
<b>SENSOR DIMENSION</b>	<b>3.584mm (H) ×2.688mm (V)</b>	
<b>HORIZONTAL RESOLUTION</b>	<b>Approximately 520TV Lines</b>	
<b>SENSITIVITY</b>	<b>MCV8-LED:0.00Lux/5m MCV8-IR940:0.00Lux/5m MCV8-IR850:0.00Lux/8m</b>	
<b>LENS &amp; VIEW ANGLE</b>	<b>0.5mm F1.2 / 90 °</b>	
<b>LAMP Control</b>	<b>1: Light (Default) 2: On-Off 3: Self-Motion</b>	
<b>LAMP</b>	<b>MCV8-LED</b>	<b>8 LED: 17600mcd</b>
<b>VIDEO OUT</b>	<b>1.0V p-p/75ohm</b>	
<b>LAMP Control OUT</b>	<b>1: AV (Default) 2: On-Off 3: Photosensitive Resistor</b>	
<b>WEIGHT</b>	<b>Camera: 12g</b>	
<b>WORK CURRENT</b>	<b>DC5V: 70mA (Lamp Off) /260mA (Lamp On) ; DC12V: 30mA (Lamp Off) / 100mA (Lamp On)</b>	
<b>POWER REQUIREMENT</b>	<b>DC5V: (3.6-5V ) DC12V: (3.6-24V )</b>	
<b>OPERATING TEMPERATURE</b>	<b>- 10° C ~ +50° C , less than 90% RH</b>	
<b>Connection</b>	<b>PIN1→Red DC5V PIN2→Black GND PIN3→Yellow VIDEO OUT PIN4→ White LED Control OUT</b>	